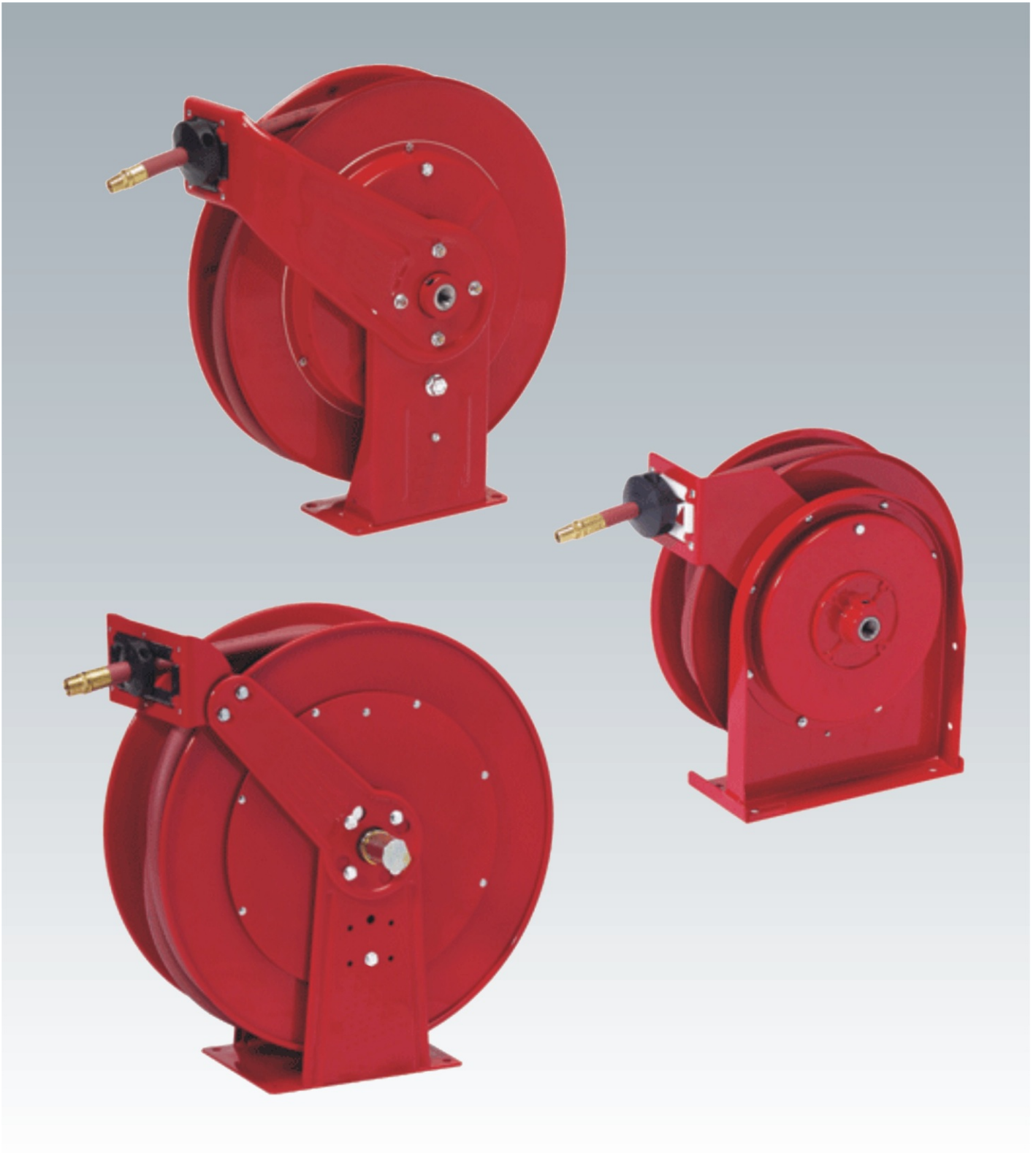
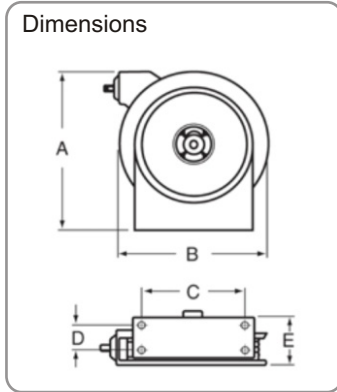


SPRING DRIVEN REELS

- The spring driven reels incorporate contemporary engineering and manufacturing techniques to give trouble free performance and long product life.
- Reels are all steel construction and compact for applications with critical space requirements. Durable bucket on powder coat finish against abrasion and corrosion.
- A wide range of models and sizes, open or completely closed, and made in steel or also stainless steel, for applications with air, water, oil, greases, high pressure, high temperature...

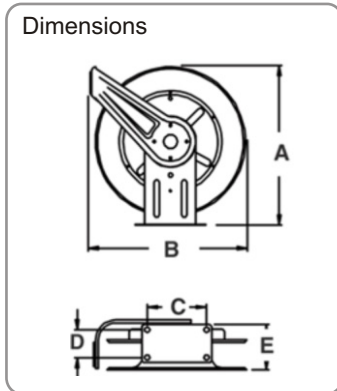


SPRING DRIVEN REELS



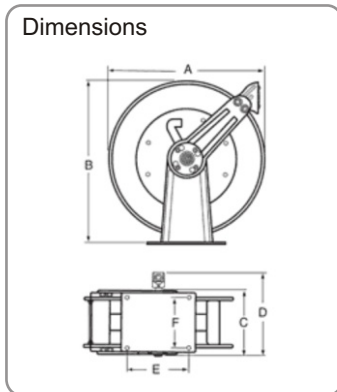
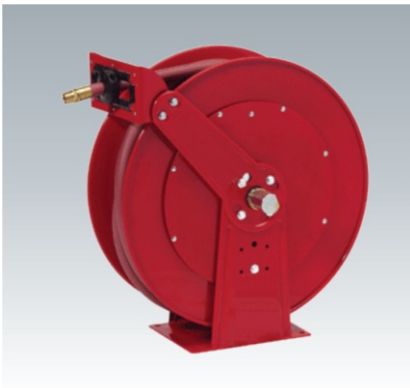
Code	A	B	C	D	E
4000	327	321	203	64	136
5000	368	349	248	64	153
A5805	445	419	248	64	152

Four 5/6" (8 mm) diameter mounting holes



Code	A	B	C	D	E
7000 O	514	483	200	98	178
7000 E	527	527	200	98	204

Four 1/2" (12,7 mm) diameter mounting holes



Code	A	B	C	D	E	F
8000	610	645	211	267	254	153

Four 1/2" (12,7 mm) diameter mounting holes

MODELS WITHOUT HOSE			
Model	Weight (Kg)	Pressure (bar)	Thread (inlet)
4400 OLP	8	35	3/8" NPTF
4600 OLP	8	35	3/8" NPTF
5400 OMP	12	210	3/8" NPTF
5600 OMP	12	210	3/8" NPTF
A5800 OMP	12	210	3/8" NPTF
A5805 OMP	15	210	3/8" NPTF
7600 OLP	20	35	1/2" NPTF
7600 OMP55	21	210	1/2" NPTF
7800 OMP	21	210	1/2" NPTF
82000 OMP	35	105	3/4" NPTF
83000 OMP	35	105	3/4" NPTF

HOSE CAPACITY			
Hose I.D. (in)	Hose I.D. (mm)	Hose O.D. (mm)	Hose length (m)
1/4"	6	13	11
3/8"	10	16	8
1/4"	6	14	11
3/8"	10	20	9
1/2"	13	21	8
1/2"	13	21	11
3/8"	10	18	22
3/8"	10	17	20
1/2"	13	21	15
1/2"	13	21	22
3/4"	19	31	15