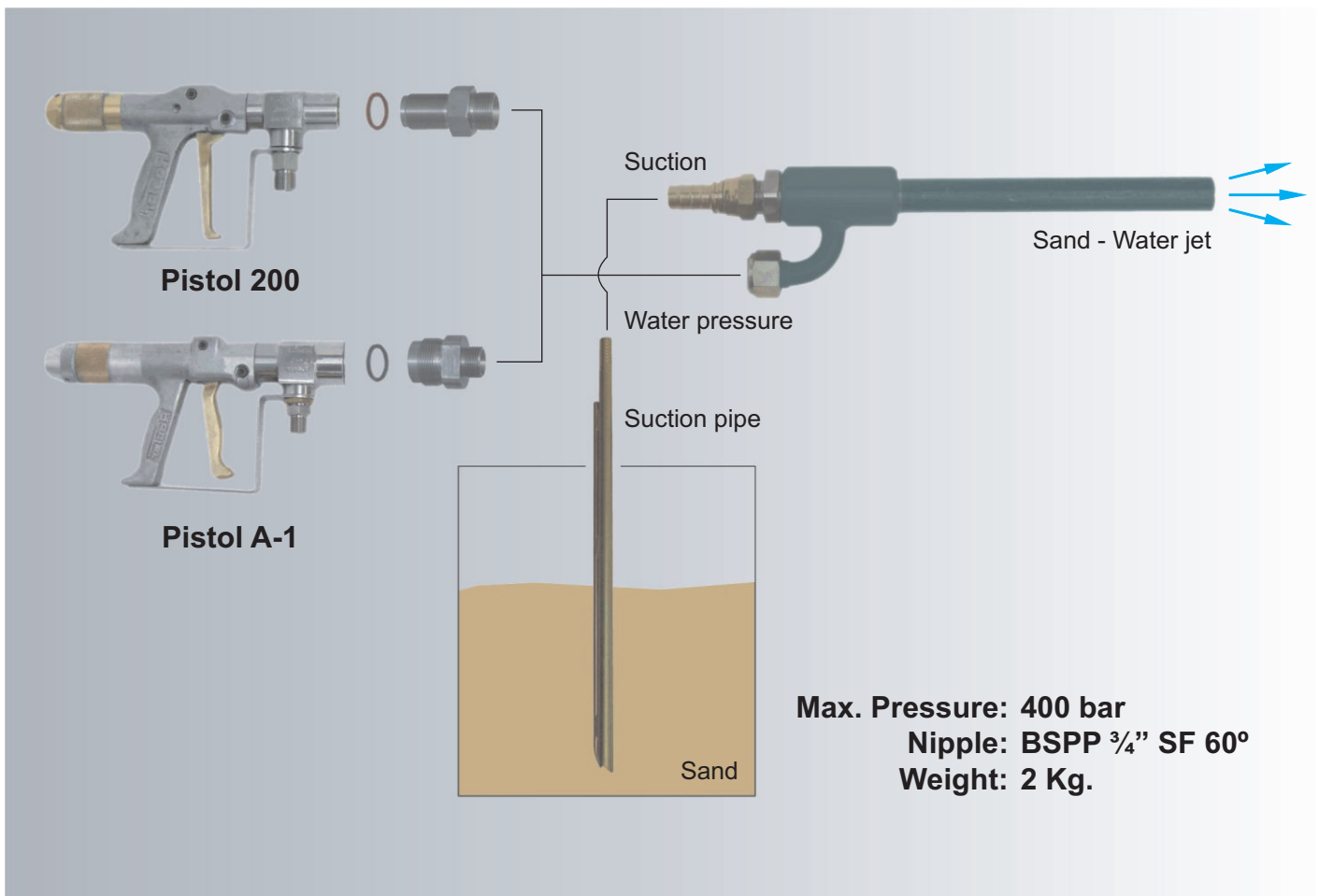


OPERATION

Water pressure passing across a nozzle, circulates inside the jet at high speed, that cause a venturi effect, vacuum and greating suction at the rear part of the accessory. The suction must be connected by means of hose to the sand container or accessory used.

Cleaning with sand-water jet pressure is more powerful than the exclusive use of water pressure. The sand hits the surface to be cleaned. You can control the force of the sand by using different grain sizes and adjust the water pressure, also the water pressure avoid the formation of harmful powder for people and environment.

It can be used to remove paints, oxides and residues stuck fast that with only water pressure would be very difficult to remove.



SUPPLY

Code 430: Sand blast 200

Code 431: Sand blast A-1

- The sand blasting equipment also includes the pistol connection nipple and suction pipe.
- The pistol and the sand suction hose are supplied separately.