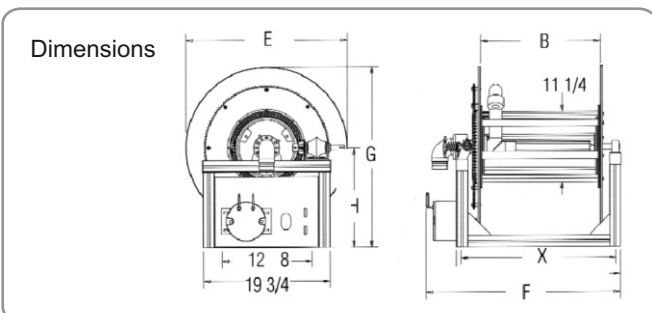


LARGE FRAME REELS - 40 SERIES



- Standard straight ball bearing swivel joint with female NPT threads and 2" victaulic groove. 90° swivel available, no extra charge.
- Hand crank, bevel crank, gear and chain drives in chart.
- Also available as standard, explosion proof 12VDC, 115 AC, hydraulic and pneumatic motor.
- Powder coated steel flanges included, aluminum also available as standard.
- Open spool spacer allows for easy access to reversible goose neck and open spool design allows for hose flexing under pressure without spool distortion.
- Plumbing and motor shown on left side; however, any configuration is available as a standard order.
- Standard colors are powder coat red with black frame. Other colors available upon request.
- Max. pressure: 41 bar. Maximum temperature 79° C. Minimum temperature -51° C.
- Chain/gear guard is a recommended option, sold separately.

	Model	41	42	43	Type	Dimensions (mm)				
						Hose I.D. (Inch)	Hose I.D. (mm)	Hose O.D. (mm)	Hose length	B
Hand crank	4 □ 2101 CG 1LC70	30	25	15	254	635	686	400	502	
	4 □ 2191 CG 1LC70	60	45	30	483	635	686	629	730	
	4 □ 3221 CB 1LC70	100	75	60	559	737	787	705	806	
Bevel crank	4 □ 2101 BG 1LC70	30	25	15	559	737	787	705	806	
	4 □ 2191 BG 1LC70	60	45	30	483	635	686	629	730	
	4 □ 3221 BG 1LC70	100	75	60	559	737	787	705	806	
Chain	4 □ 2101 EH 1LC70	30	25	15	254	635	686	400	552	
	4 □ 2191 EH 1LC70	60	45	30	483	635	868	629	781	
	4 □ 3221 EH 1LC70	100	75	60	559	737	787	705	857	
Gear	4 □ 2101 DH 1LC70	30	25	15	257	635	686	400	552	
	4 □ 2191 DH 1LC70	60	45	30	493	635	686	629	781	
	4 □ 3221 DH 1LC70	100	75	60	556	737	787	705	857	



Model
 4 □ 2101 EH 1LC70
 (□ = Ø Hose)
 1=1"
 2=1 1/4"
 3=1 1/2"

ATTENTION: For the warranty to be valid, a flexible connector **MUST** be used between the swivel and the inlet piping.