

3200L Series 3 plungers 200 HP (150 Kw)

- Input shaft to left (I) or right viewable from the head.
- Auxiliary P.T.O. shaft on opposite side.
- Internal gear box with reduction 2,963 in 3200 body type
Reduction 3,652 in 3200R type.
- Internal oil pressure lubrication.
- Stroke: 95 mm.
- Ceramic plungers.
- Very high pressure head L type, inline valves, optimal pressure resistant.
- Internal parts in contact with the liquid made of resistant corrosion materials.
- Accessories, pressure regulator valve, safety valve, manometer, outlet nipples.



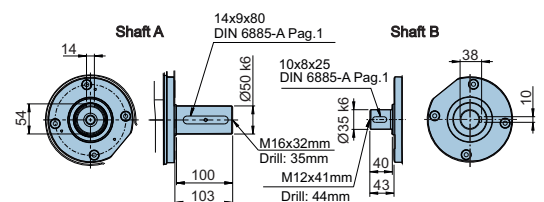
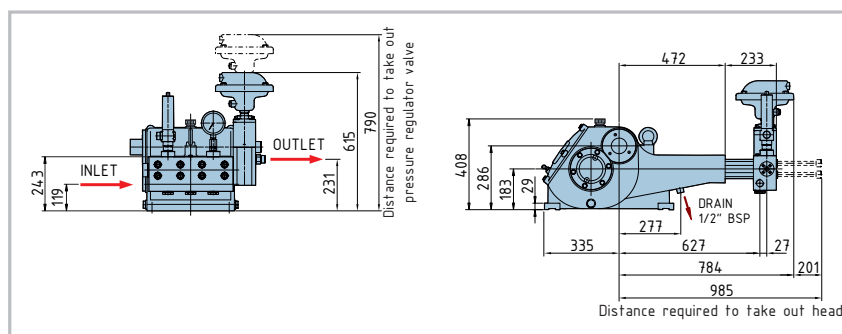
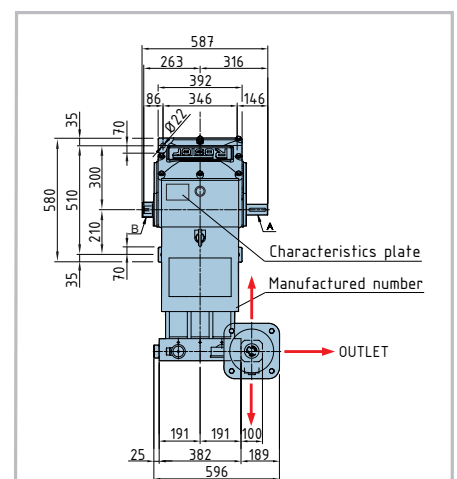
ROSTOR 3200L LAD3N

Technical data

Plunger (mm)	Shaft (r.p.m.)	Reduction	Crank shaft (r.p.m.)	Q (l/min)	Motor power (HP / Kw)				
					100/75	125/90	150/110	200/145	
					Working pressure (bar)				
HEAD L	16	1500	2,963	506	28	1250*	-	-	-
		1800	3,652	493	26	1250*	-	-	-
		1500	3,652	411	22	1250*	-	-	-
	18	1500	2,963	506	35	1075	1250*	1250*	-
		1800	3,652	493	34	1100	1250*	1250*	-
		1500	3,652	411	28	1250*	1250*	-	-
	20	1500	2,963	506	43	870	1090	1250*	1250*
		1800	3,652	493	41	910	1140	1250*	1250*
		1500	3,652	411	35	1070	1250*	1250*	-
	22	1500	2,963	506	52	720	900	1080	1250*
		1800	3,652	493	50	750	940	1125	1250*
		1500	3,652	411	42	890	1115	1250*	-
24	1500	2,963	506	62	605	750	905	1200	
	1800	3,652	493	60	620	780	940	1200	
	1500	3,652	411	50	750	935	1125	-	
26	1500	2,963	506	73	515	640	770	1000	
	1800	3,652	493	71	530	660	790	1000	
	1500	3,652	411	59	635	795	950	-	
30	1500	2,963	506	97	390	480	580	800	
	1800	3,652	493	94	400	500	600	800	
	1500	3,652	411	78	475	600	720	-	

* To obtain this pressure is needed less power than indicated.

Weight: 335 Kg



ROSTOR 3200L LDA3N

With: Pressure regulator valve LAD3N, safety valve and manometer