



HIGH PRESSURE PUMPS

3150S 3 plungers 150 HP (110 Kw)

- Water recycling pump.
- Input shaft left (I) or right viewable from the head.
- Auxiliary P.T.O. shaft on opposite side.
- Internal gear box with reduction 2,963 in 3150 body type. Reduction 3,652 in 3150R type.
- Option: Internal oil pressure lubrication. 3150 E / 3150R E Body type.
- Stroke 95 mm.
- Ceramic plungers.
- S Valves to use with dirty water.
- SL Valves to use with clean water.
- Accessories: Pressure regulator valve, safety valve, manometer, outlet nipples.



ROSTOR 3150 S02

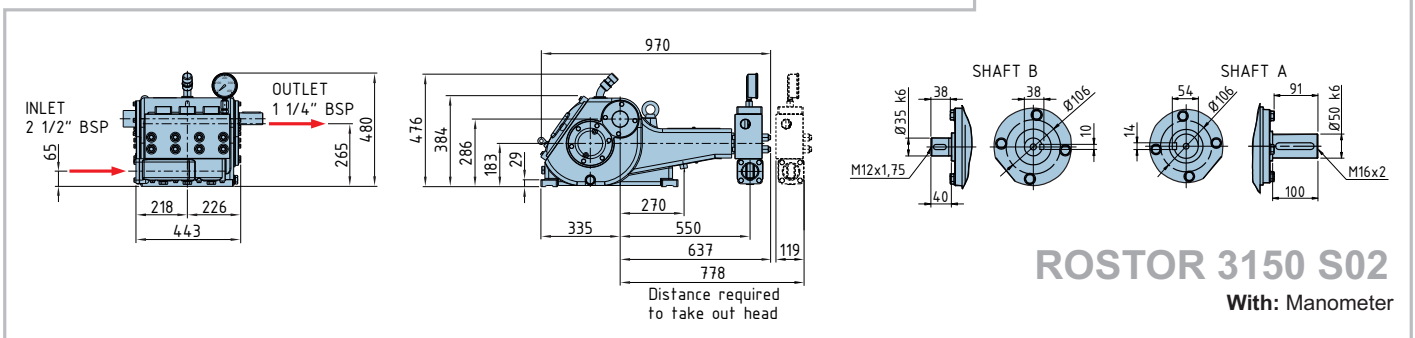
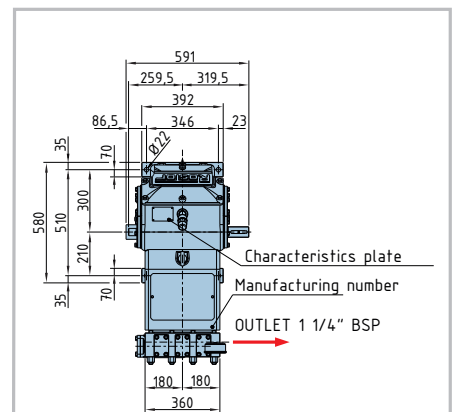
Head type	Use	Head material	Weight (Kg)
S02	Dirty water	Stainless steel body head, suction manifold in cast iron	320
SL02	Clean water		
SI	Dirty water	All in stainless steel	330
SLI	Clean water		

Technical data ROSTOR 3150

Plunger (mm)	Shaft (r.p.m.)	Reduction	Crank Shaft (r.p.m.)	Flow (l/min)	Motor power (HP / Kw)			
					75/55	100/75	125/90	150/110
					Working pressure (bar)			
35	1500	2,963	506	132	200*	-	-	-
	1800	3,652	493	128	200*	-	-	-
	1500	3,652	411	107	200*	-	-	-
40	1500	2,963	506	172	160	200*	-	-
	1800	3,652	493	168	165	200*	-	-
	1500	3,652	411	140	200	-	-	-
45	1500	2,963	506	218	130	170	200*	-
	1800	3,652	493	212	135	175	200*	-
	1500	3,652	411	178	160	210	-	-
50	1500	2,963	506	276	100	135	170	200
	1800	3,652	493	269	105	140	175	200*
	1500	3,652	411	224	125	165	200*	-
55	1500	2,963	506	334	85	110	140	170
	1800	3,652	493	325	85	115	145	170*
	1500	3,652	411	271	105	138	170*	-
60	1500	2,963	506	397	70	95	120	140
	1800	3,652	493	387	70	95	120	140*
	1500	3,652	411	322	85	115	140	-

*To obtain this pressure is needed less power than indicated.

Crankshaft speed to 411 r.p.m. or inferior for intensive use, the rest intermittent use.



ROSTOR 3150 S02

With: Manometer